



**KALCO**  
Handcrafted Since 1980

# ASSEMBLY & INSTALLATION INSTRUCTIONS

MODEL: 5413  
WINDSOR 40LT CHANDELIER



If you have any questions or problems assembling your fixture please call us for assistance.

Customer Service: (702) 361-4345 or (800) 525-2655  
[customer.services@kalco.com](mailto:customer.services@kalco.com)

**WARNING!** TO REDUCE THE RISK OF FIRE OR INJURY PLEASE TAKE PRECAUTION AND FOLLOW THE STEPS BELOW.

1. If you are unfamiliar with electrical wiring, call a qualified electrician to install this unit. More than one person may be necessary to install fixture, make sure you have enough qualified help.
2. Turn off the power to the fixture's circuit at the service panel. Use a voltage detector to verify that the power is off.
3. DO NOT install bulb which exceeds the maximum wattage specified on the socket label.

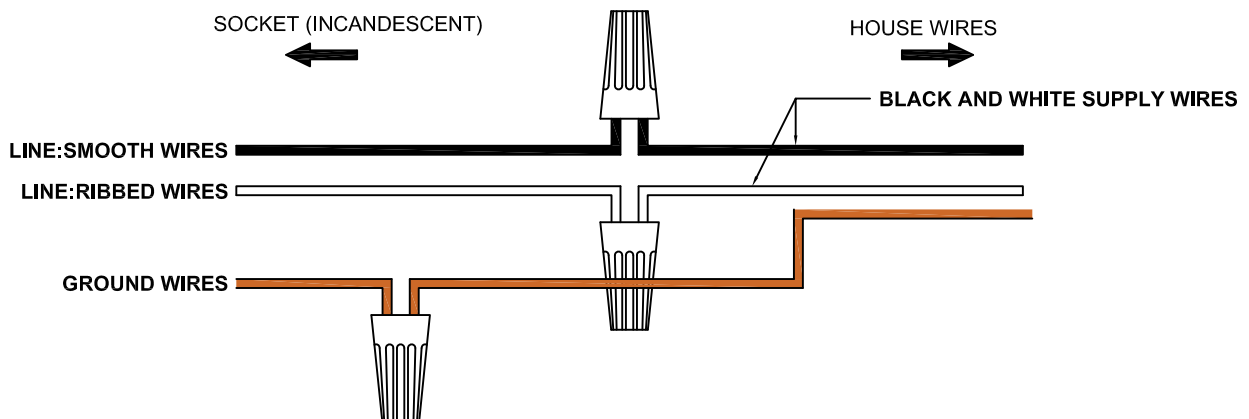
Si vous avez des questions ou des problèmes assemblage de votre dispositif s'il vous plaît appel pour l'assistance.

Customer Service: (702) 361-4345 or (800) 525-2655  
[customer.services@kalco.com](mailto:customer.services@kalco.com)

**AVERTISSEMENT!** POUR RÉDUIRE LES RISQUES D'INCENDIE OU DE BLESSURES S'IL VOUS PLAÎT PRENDRE DES PRÉCAUTIONS ET SUIVEZ LES ÉTAPES CI-DESSOUS.

1. Si vous n'êtes pas familier avec le câblage électrique, appelez un électricien qualifié pour installer cet appareil. Plus d'une personne peut être nécessaire d'installer appareil, assurez vous que vous disposez de l'aide assez qualifié.
2. Coupez l'alimentation au circuit de l'appareil sur le tableau de service. Utiliser un détecteur de tension pour vérifier que l'alimentation est coupée
3. NE PAS installer l'ampoule qui excède la puissance maximale indiquée sur l'étiquette du socket.

## WIRING DIAGRAM





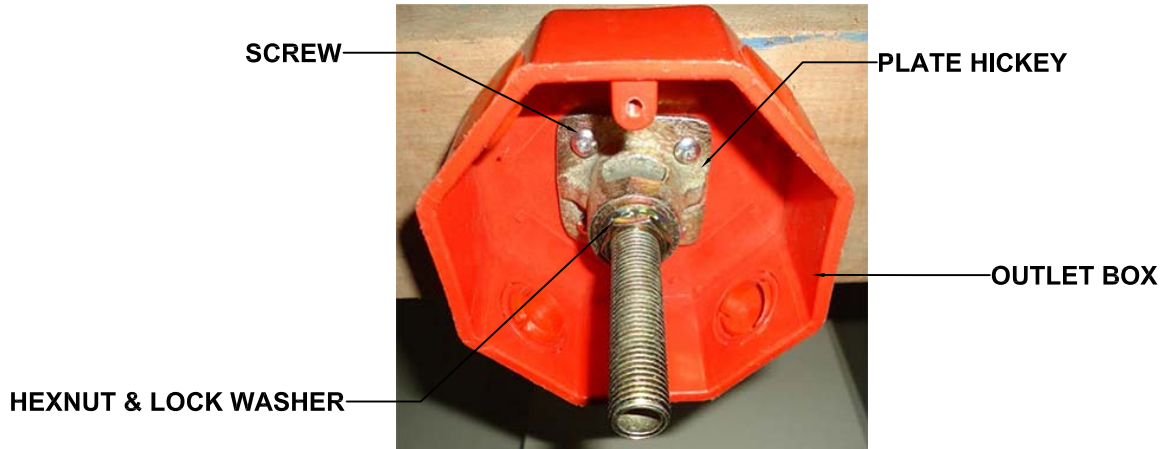
**KALCO**  
Handcrafted Since 1980

# ASSEMBLY & INSTALLATION INSTRUCTIONS

MODEL: 5413  
WINDSOR 40LT CHANDELIER

## CEILING BRACE OPTIONS

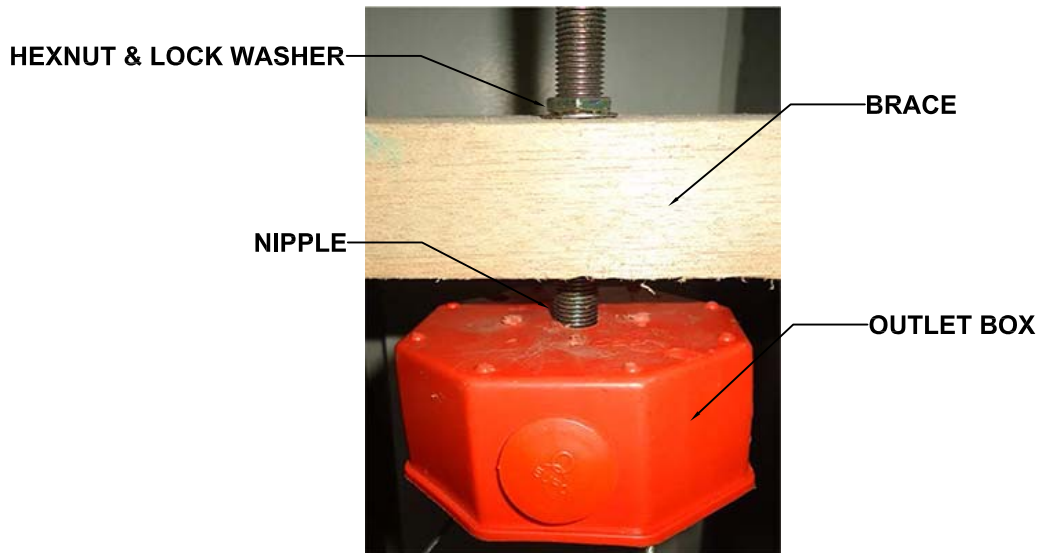
### " METHOD A "



Brace is directly on top of the outlet box and not accessible).

Using a 1/8" drill bit, pre-drill (4) holes into the wood brace through the (4) hole pattern in the outlet box. (Outlet box is shown as a cutaway for clarity). Secure the hickey to the brace with (4) #8 x 1-1/2" screws. The wire way opening should mount as shown, between the outlet box and 2 mounting flanges.

### " METHOD B "



(Brace is above and not in contact with the outlet box and is accessible)

Remove center knockout from outlet box. In line with the center knockout, drill a 9/16" hole in the brace. (Brace should be fastened to the ceiling joist after pipe is installed). Assemble hickey to one end of a 1/4 pipe nipple. The pipe should be flush with inside of the hickey wire way. Insert pipe through back of outlet box and through the brace above. Secure pipe with a 1/4 pipe nut.



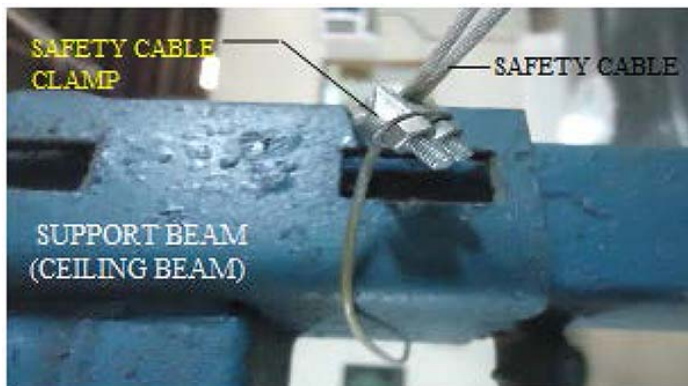
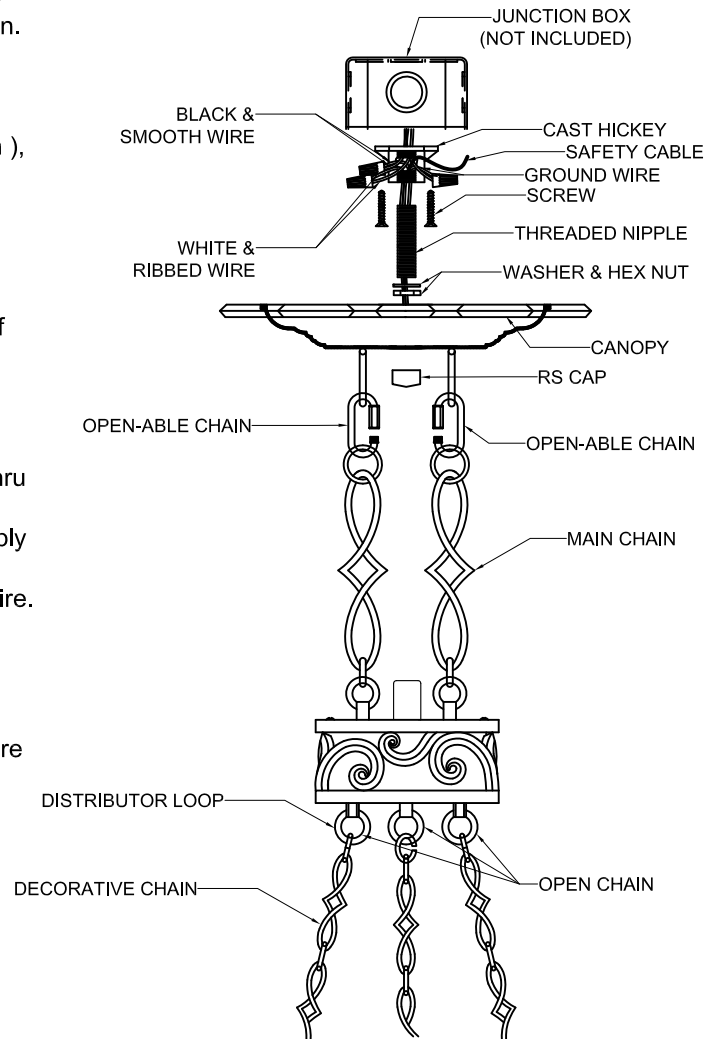
**KALCO**  
Handcrafted Since 1980

# ASSEMBLY & INSTALLATION INSTRUCTIONS

**MODEL: 5413**  
**WINDSOR 40LT CHANDELIER**

## FRAME/COMPONENTS ASSEMBLY

- STEP 1:** Determine fixture height. Make adjustment if needed.
- STEP 2:** Connect the main chains of the fixture to the canopy loop using open-able chain and the decorative chains of the fixture to the distributor loop using open chain as shown.
- STEP 3:** Thread the wires through the chains (every other chain), through the distributor and canopy. Stop just before reaching the canopy loop.
- STEP 4:** Install safety cable to ceiling beam. Make sure ceiling beam is strong enough to support 4 times the weight of the fixture.
- STEP 5:** Refer to wiring diagram. With wire carefully threaded thru canopy, connect the black supply wire to the smooth fixture wire with wire connector, connect the white supply wire to the ribbed fixture wire with wire connector. Connect ground wire from fixture with supply ground wire.
- STEP 6:** Carefully tuck all wires into outlet box ensuring that there are no wires pinched between the canopy and ceiling.
- STEP 7:** Lock in place using the rs cap provided.



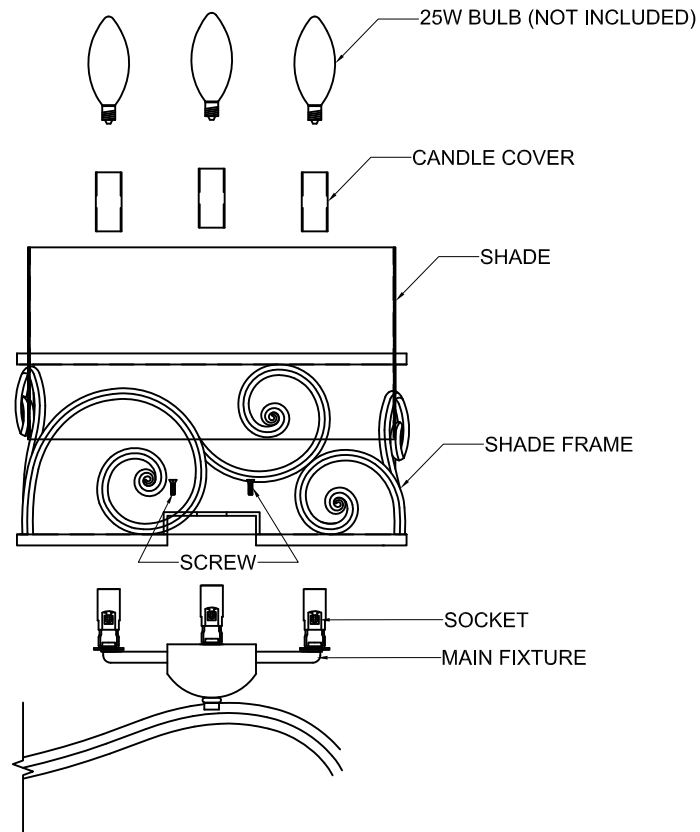


KALCO  
Handcrafted Since 1980

# ASSEMBLY & INSTALLATION INSTRUCTIONS

MODEL: 5413  
WINDSOR 40LT CHANDELIER

## FRAME/COMPONENTS ASSEMBLY



**STEP 8:** Attach the shade frame to main fixture and secure with screw.

**STEP 9:** Insert the mica shade to the frame as shown.

**STEP 10:** Insert the candle cover to the socket.

**STEP 11:** Install bulbs, do not use bulbs that exceed 25 Watts.

### FOR LIGHTING MAINTENANCE:

- Regular cleaning of fixture with proper and gentle care using a soft duster, soft lint-free or damp cloth is recommended.
- Refrain from using harsh cleaning liquids that may cause chemical reaction on the hand painted finishes.
- Always refer to the Assembly Instruction before removing any components.
- HANDLE WITH CARE.



# ASSEMBLY & INSTALLATION INSTRUCTIONS

MODEL: 5413  
WINDSOR 40LT CHANDELIER

KALCO  
Handcrafted Since 1980

## PARTS LIST

| IMAGE   | PARTS NAME                               | QTY .      |
|---|--|------------|
|    | X-14 Parts Bag                           | 1 PC       |
|    | Screw                                    | 4 PCs      |
|    | Threaded Nipple (Short)                  | 1 PC       |
|    | Star Washer                              | 2 PCs      |
|   | Hex Nut                                  | 2 PCs      |
|  | Threaded Nipple (Long)                   | 1 PC       |
|  | Open-able Chain                          | 3 PCs      |
|  | Canopy / Chain with 2Pcs Open-able chain | 1 PC / Set |
|  | Shade                                    | 8PCs       |
|  | Candle Cover                             | 40PCs      |
|  | Rs Cap                                   | 1PC.       |