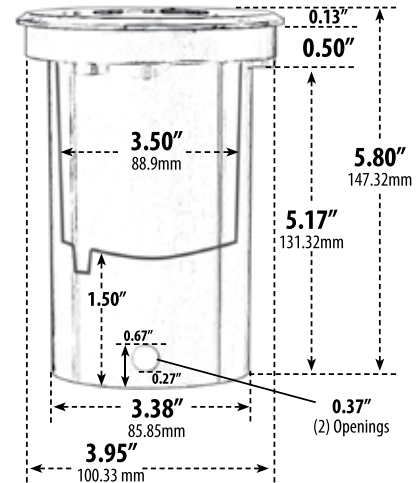
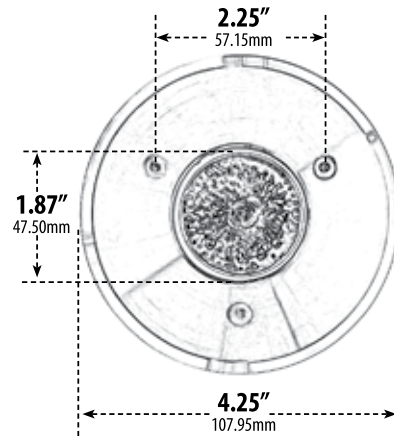


LV311

IN-GROUND WELL LIGHT



- ▶ **Material:** Stainless Steel with PVC Sleeve
- ▶ **Lens:** Clear, Heat Resistant, Tempered Glass
- ▶ **Lamp:** MR16 Bi-Pin Base (35W Maximum)

| MODEL NUMBER | LAMP TYPE | ILLUMINANT TYPE | WATTS (W) | VOLTS (V) | LAMP(S) INCLUDED? |
|--------------|-----------|-----------------|-----------|-----------|-------------------|
| LV311 | MR16 | HALOGEN | 20 | 12 | YES |
| LV-LED311 | MR16-LED | 3 LEDs | 3 | 12 | YES |

Pre-wired with UL Listed Direct Burial Wire/Cable

- ▶ **Available Finish:** Stainless Steel
- ▶ **ETL Approved**

Overall Dimensions:
5.80"H x 4.25"W x 4.25"D

Weight: 1.40 lbs
Approximate Wire Length: 20"
Box Dimensions:
6.00"H x 4.63"W x 4.63"D

DABMAR
LIGHTING

DABMAR LIGHTING INCORPORATED

2140 Eastman Ave . Oxnard, CA 93030 . 805.604.9090 . f: 805.604.9050 . www.dabmar.com