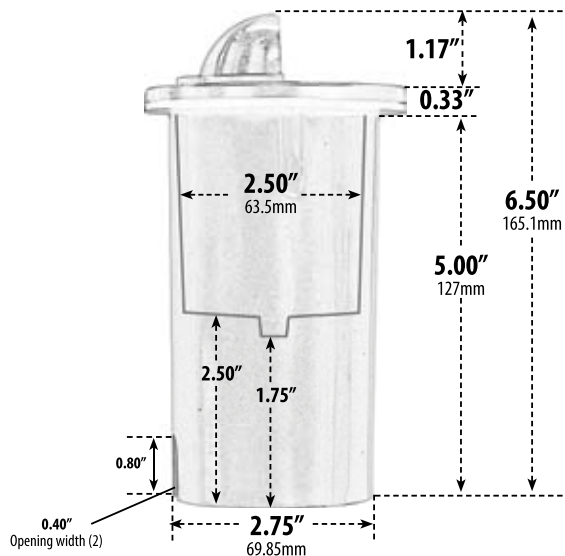
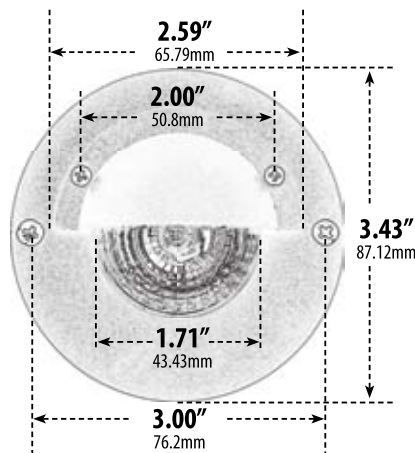


LV625-BS

IN-GROUND WELL LIGHT WITH EYELID



- ▶ **Material:** Brass with PVC Sleeve
- ▶ **Lens:** Clear, Heat Resistant, Tempered Glass
- ▶ **Lamp:** MR16 Bi-Pin Base (35W Maximum)

MODEL NUMBER	LAMP TYPE	ILLUMINANT TYPE	WATTS (W)	VOLTS (V)	LAMP(S) INCLUDED?
LV625-BS	MR16	HALOGEN	20	12	YES
LV-LED625-BS	MR16-LED	3 LEDs	3	12	YES

Pre-wired with UL Listed Direct Burial Wire/Cable

- ▶ **Available Finish:** Brass
- ▶ **ETL Approved**

Overall Dimensions:
6.50"H x 3.43"W x 3.43"D

Weight: 2.40 lbs
Approximate Wire Length: 30 "
Box Dimensions:
6.50"H x 3.75"W x 3.75"D
Lamp Included

DABMAR
LIGHTING

DABMAR LIGHTING INCORPORATED

2140 Eastman Ave . Oxnard, CA 93030 . 805.604.9090 . f: 805.604.9050 . www.dabmar.com